

Two-Way Connector Clamps

Aluminum / Stainless Steel

SPECIFICATION

Identification No.

No. **2**: With 2 stainless steel socket cap screws DIN 912

Aluminum

- Powder coated
Black, RAL 9005, textured finish **SW**
- Plain, matte shot-blasted **BL**

Stainless steel AISI CF-8 **NI**

Matte shot-blasted

Socket cap screws DIN 912

Stainless Steel AISI 304

Hex nuts DIN 985

Stainless Steel AISI 304

Self-locking via polyamide ring



INFORMATION

The clamping bores of two-way connector clamps GN 131 are mechanically machined and designed for construction tubes GN 990 (see page 1902) or DIN 2391, DIN 2395 and DIN 2462.

At the screw locations **z**, the socket cap screws reduce the bore cross-section for clamping.

For clamping without tools, the socket cap screws can be replaced by the adjustable hand levers GN 911 (see page 1874) / GN 911.3 (see page 1875) listed in the table as accessories.

ACCESSORY

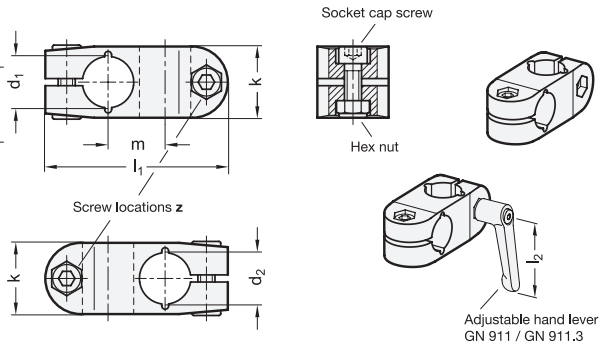
- Adjustable Hand Levers GN 911 (see page 1874) / GN 911.3 (see page 1875)

ON REQUEST

- d_1 / d_2 with unequal bores

TECHNICAL INFORMATION

- Stainless Steel Characteristics (see page A26)



* Complete with

SW **BL**
RAL9005 Plain

GN 131-AL

Description	d_1 Bore	d_2 Bore	k Clamping length	l_1	m	z Screw locations	Accessory Recom. hand lever GN 911 for z l2	⚖
GN 131-B10-B10-2-*	B 10	B 10	25	64	20	M6-20	63 -	86
GN 131-B12-B12-2-*	B 12	B 12	25	64	20	M6-20	45 63	80
GN 131-B14-B14-2-*	B 14	B 14	25	64	20	M6-20	45 63	78
GN 131-B15-B15-2-*	B 15	B 15	25	64	20	M6-20	45 63	62
GN 131-B16-B16-2-*	B 16	B 16	25	64	20	M6-20	45 63	55
GN 131-B18-B18-2-*	B 18	B 18	25	64	20	M6-20	45 63	50

GN 131-NI

STAINLESS STEEL

Description	d_1 Bore	d_2 Bore	k Clamping length	l_1	m	z Screw locations	Accessory Recom. hand lever GN 911.3 for z l2	⚖
GN 131-B12-B12-2-NI	B 12	B 12	25	64	20	M6-20	-	190
GN 131-B14-B14-2-NI	B 14	B 14	25	64	20	M6-20	-	185
GN 131-B15-B15-2-NI	B 15	B 15	25	64	20	M6-20	-	180
GN 131-B16-B16-2-NI	B 16	B 16	25	64	20	M6-20	-	175
GN 131-B18-B18-2-NI	B 18	B 18	25	64	20	M6-20	45 63	170
GN 131-B20-B20-2-NI	B 20	B 20	25	64	20	M6-20	45 63	165

Weight SW